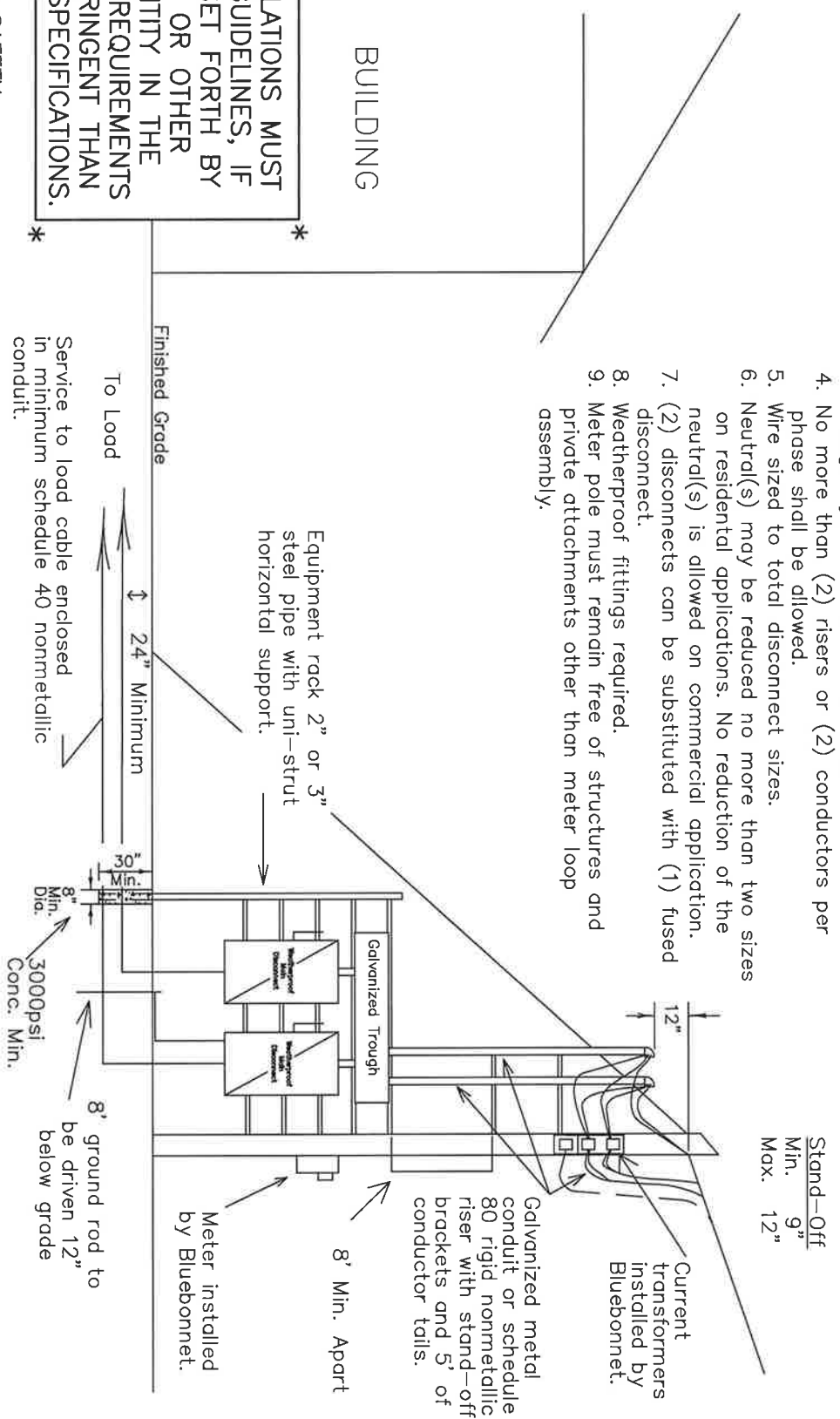


Notes:

1. This application only applies to attachment to a meter pole.
2. When more than (1) disconnect is used, a galvanized trough system shall be used.
3. Line taps shall be made in the galvanized wire trough by the electrical contractor.
4. No more than (2) risers or (2) conductors per phase shall be allowed.
5. Wire sized to total disconnect sizes.
6. Neutral(s) may be reduced no more than two sizes on residential applications. No reduction of the neutral(s) is allowed on commercial application.
7. (2) disconnects can be substituted with (1) fused disconnect.
8. Weatherproof fittings required.
9. Meter pole must remain free of structures and private attachments other than meter loop assembly.



* WIRING INSTALLATIONS MUST MEET LOCAL GUIDELINES, IF APPLICABLE, SET FORTH BY CITY, COUNTY, OR OTHER GOVERNING ENTITY IN THE EVENT THESE REQUIREMENTS ARE MORE STRINGENT THAN BLUEBONNET SPECIFICATIONS. *

FOR THE MEMBER'S SAFETY, WIRING INSTALLATIONS SHALL CONFORM TO THE REQUIREMENTS OF THE NEC, TDLR, AND NESC.

Latest update can be found at www.bluebonnetelectric.coop/setup/meter.shtml

Bluebonnet Electric Cooperative, Inc.
P.O. Box 729
Bastrop, Texas 78602

1Ø > 400 AMP OR 3Ø >200 AMP SERVICE WITH CT		Drawn By :	Checked By :	Approved By :
METERING ON BLUEBONNET METER POLE		BS	SE	TE
DATE	REVISIONS	Scale :	Date :	
02-23-09	Reduced Neutral Size (See Note #6)	NONE	11-20-09	MS-111
11-20-09	Wiring installations local guidelines			