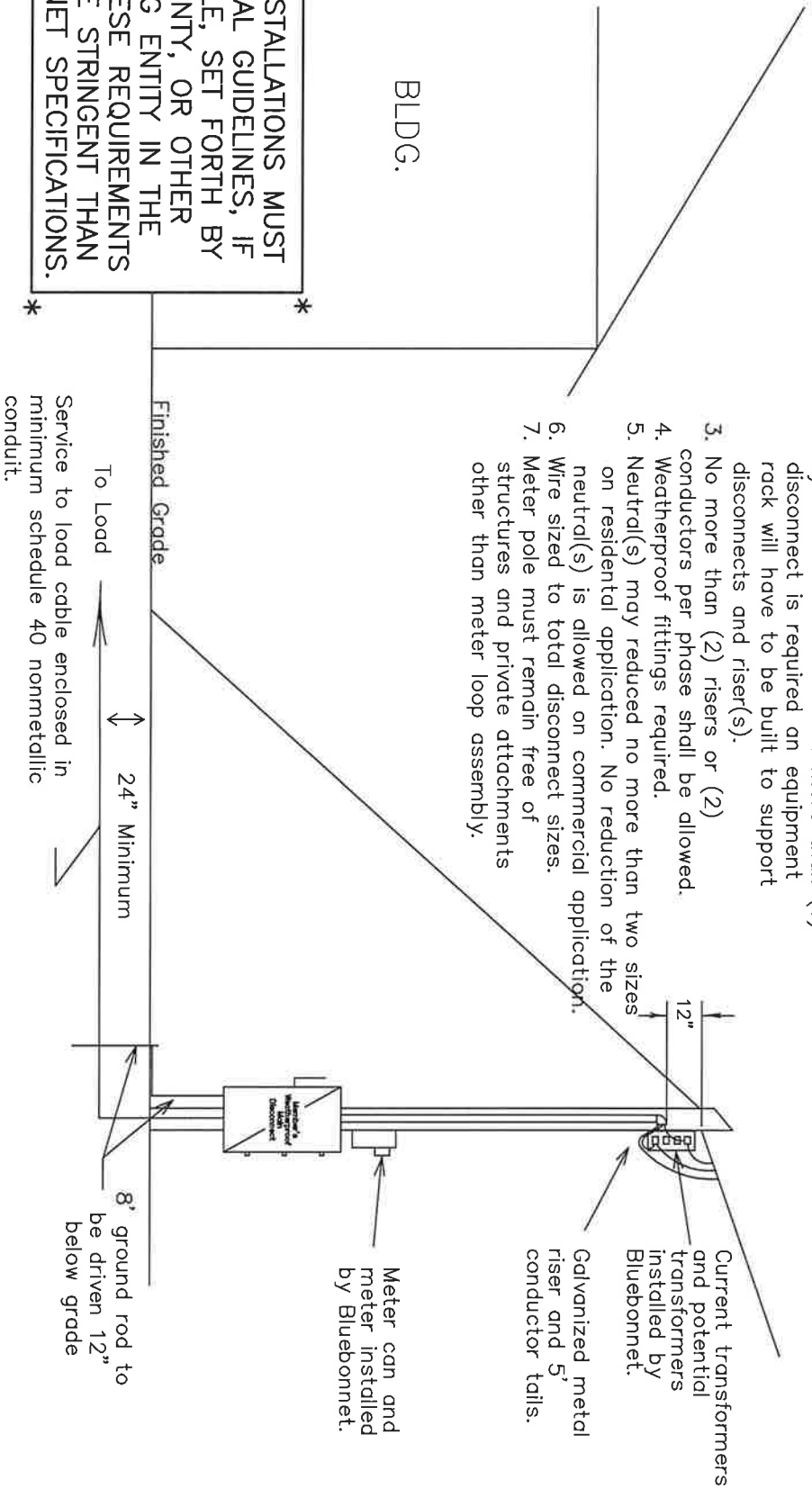


Notes:

1. Disconnect and weatherhead can also be mounted on building. NEC service clearances must be maintained.
2. When more than (1) disconnect is required a galvanized through system shall be used. If more than (1) disconnect is required an equipment rack will have to be built to support disconnects and riser(s).
3. No more than (2) risers or (2) conductors per phase shall be allowed.
4. Weatherproof fittings required.
5. Neutral(s) may reduced no more than two sizes on residential application. No reduction of the neutral(s) is allowed on commercial application.
6. Wire sized to total disconnect sizes.
7. Meter pole must remain free of structures and private attachments other than meter loop assembly.



* WIRING INSTALLATIONS MUST MEET LOCAL GUIDELINES, IF APPLICABLE, SET FORTH BY CITY, COUNTY, OR OTHER GOVERNING ENTITY IN THE EVENT THESE REQUIREMENTS ARE MORE STRINGENT THAN BLUEBONNET SPECIFICATIONS. *

FOR THE MEMBER'S SAFETY, WIRING INSTALLATIONS SHALL CONFORM TO THE REQUIREMENTS OF THE NEC, TDLR AND NESCC.

Latest update can be found at www.bluebonnetelectric.coop/setup/meter.shtml

Bluebonnet Electric Cooperative, Inc. P.O. Box 729 Bastrop, Texas 78602		3Ø 480 VOLT 200-800 AMP WITH CT METERING		Drawn By : BS	Checked By : SE	Approved By : EK
DATE	REVISIONS			Scale :	Date :	
02-23-09	Reduced Neutral Size (See Note #5)			NONE	11-20-09	MS-110
11-20-09	Wiring installations local guidelines					